

Banana Screen

**HENAN EXCELLENT  
MACHINERY CO.,LTD**

Bulk Material Handling





# BANANA SCREEN PROFILE

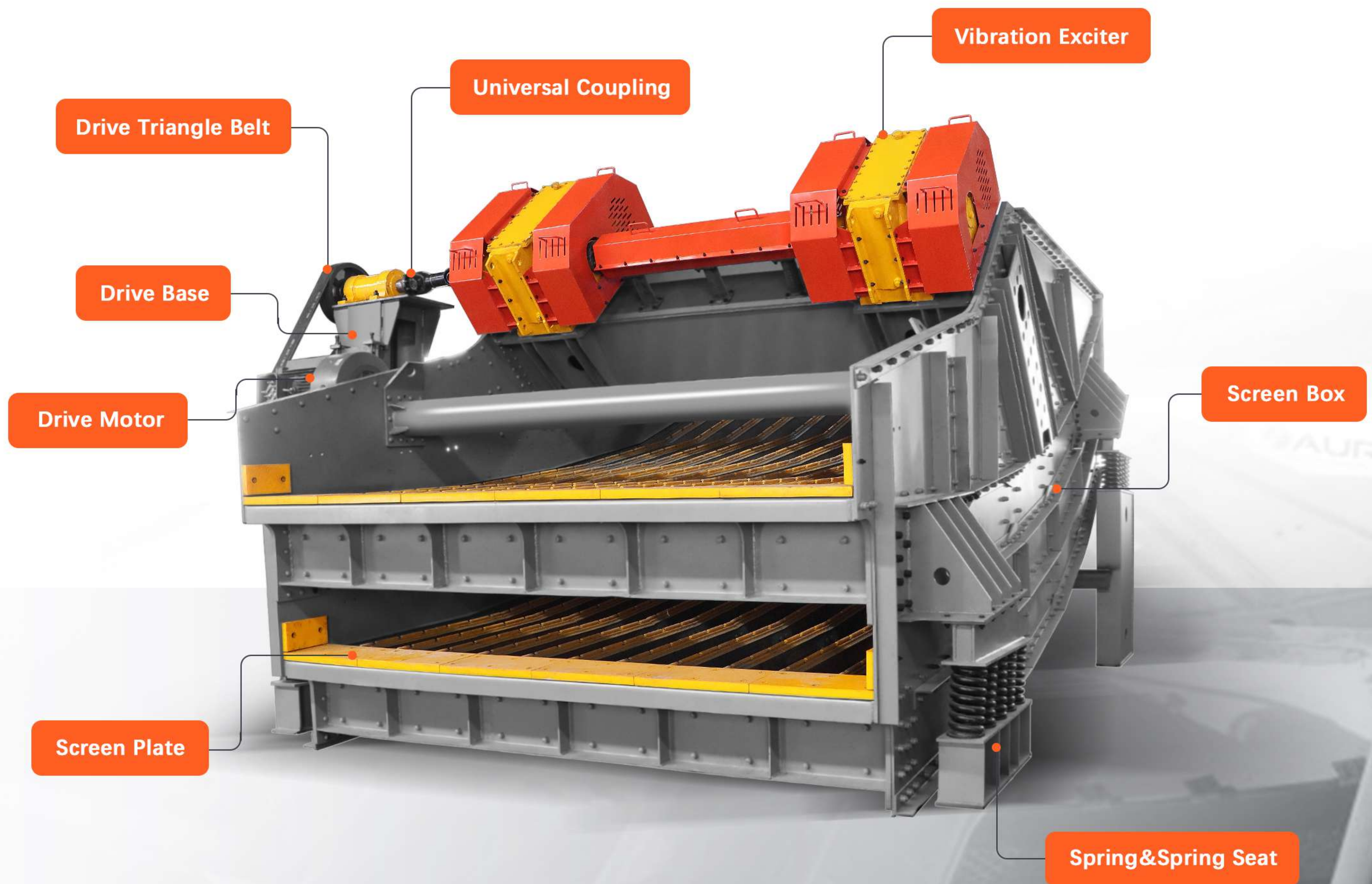
The banana screen uses the latest technology of multi-angle machines, which can achieve special throughput in a relatively small screening area. The screen includes many different screen angles, a variety of deck types and apertures to meet specific process requirements.

Banana screen is sometimes called multi-angle screen or multi-slope screen. will accept most types of deck systems, including polyurethane, perforated steel plate and wedge wire. Banana screen achieves good separation accuracy under extremely high feeding speed and material that is difficult to screen. Its operational characteristics make it a high-speed screen.

# WORKING

# PRINCIPLE

Banana screen is made up of motor and vibrator as vibration source, the vibrator is mainly by the eccentric shaft, pulley, bearing and bearing seat, the vibrator is installed on the screen box side plate, and by the motor through v-belt or soft connection and is linked together, the motor drives the eccentric shaft rotation, generate centrifugal force, forced vibration sieve box.



# FEATURES

- ▶ The banana screen adopt multi-section screen deck, which is conducive to material ejection, reduces the blocking hole rate and greatly improves the screening efficiency.
  - ▶ The side plate is made of high strength structural steel with high precision CNC cutting to ensure the overall machining accuracy.
  - ▶ The screen frame is connected by high strength rivets and all welding parts are treated with stress elimination to ensure the reliability of banana screen operation.
- 
- ▶ The spring of the banana screen is made of metal spiral steel spring with rubber composite spring, which has the characteristics of small amplitude, low noise and long life in the over-resonance area.
  - ▶ The banana screen use of modular design of parts, to facilitate timely and rapid replacement of parts, reduce downtime and maintenance costs.

# DETAILS

## Vibration Exciter

▶ High efficiency helical gear box type exciter, with super large exciting force, ultra-low noise, stable operation and long service life; The eccentric block is arranged outside the exciter box, so that the amplitude can be adjusted by changing the counterweight setting.



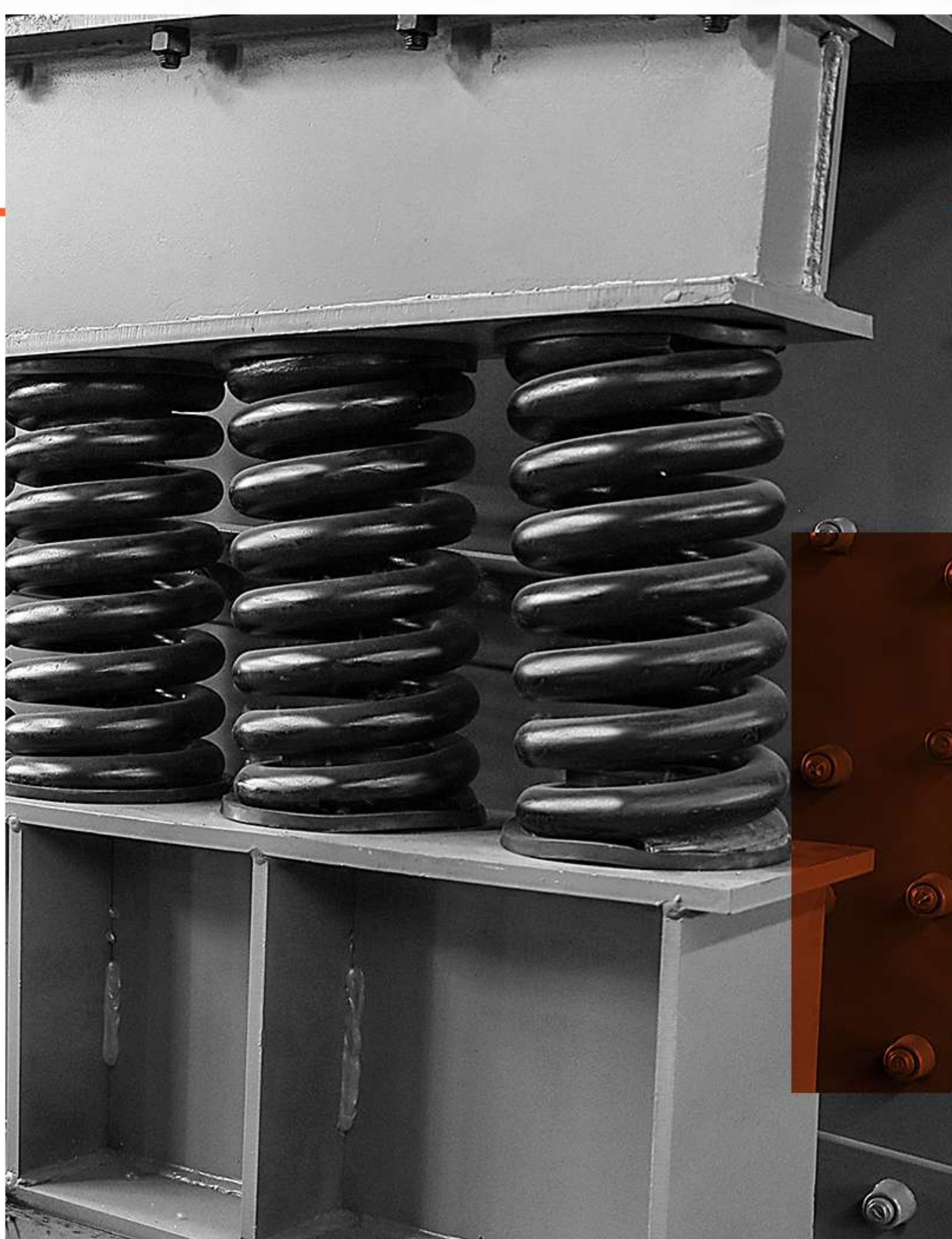
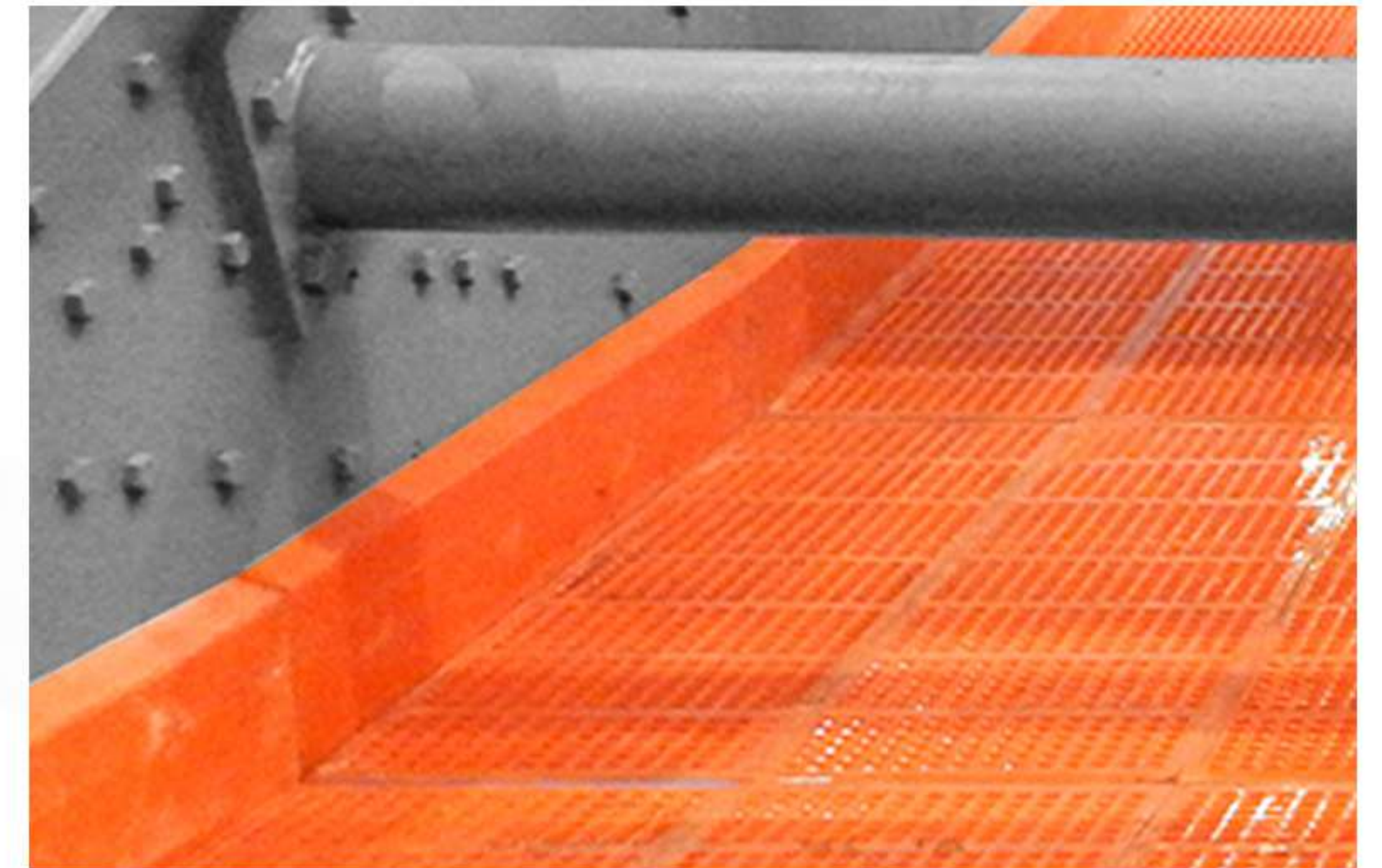


## Driver&Coupling

► Choose Siemens, ABB, WEG and other international brands, the use of high-quality raw materials and through strict quality testing and control of high-quality parts, with safe, reliable, flexible and efficient features.

## Screen Plate

► The banana screen adopt multi-section screen deck, which is conducive to material ejection, reduces the blocking hole rate and greatly improves the screening efficiency.



## Spring&Spring Seat

► The spring of the banana screen is made of metal spiral steel spring with rubber composite spring, which has the characteristics of small amplitude, low noise and long life in the over-resonance area.



# VIBRATION EXCITER PROFILE

The vibration exciter of the banana screen adopts high precision carburizing and quenching helical gear transmission to ensure the bearing capacity and working stability and reliability. Vibration exciter box is completed at one time by CNC machining center and tested by three-coordinate detector.

Sealing using international famous brand oil seal to ensure that the lubricating oil is not leaked during work. At the same time, magnetic oil plug absorbs fine metal shavings inside the to vibration exciter purify lubricating oil.

The vibration exciter uses SKF or FAG special bearings of vibration equipment, which can ensure reliability under vibration load.

## Features



Using thin oil lubrication, bearing lubrication is more full, bearing bearing capacity is larger, longer life.



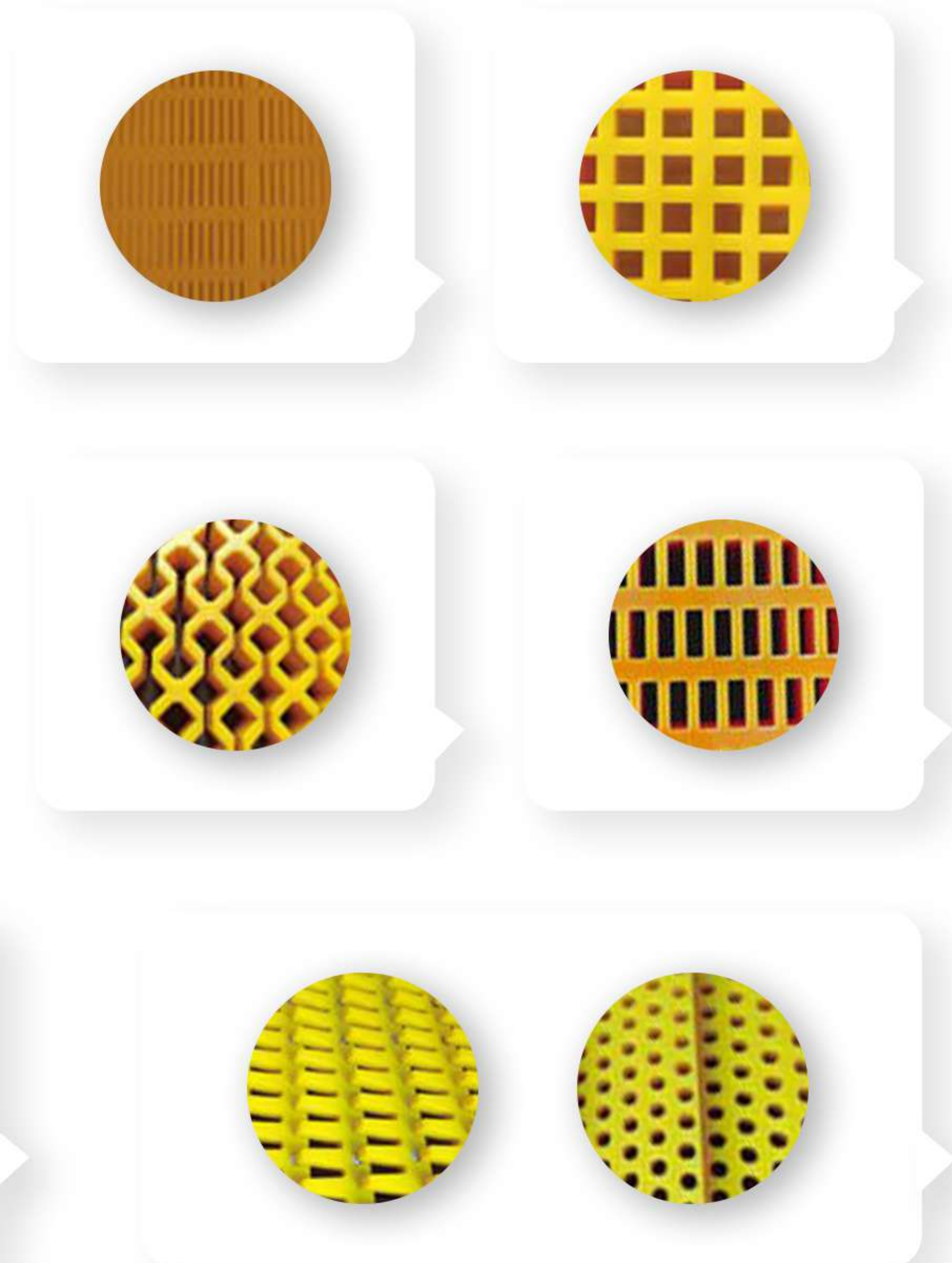
Using thin oil lubrication, bearing lubrication is more full, bearing bearing capacity is larger, longer life.



Using thin oil lubrication, bearing lubrication is more full, bearing bearing capacity is larger, longer life.

# SCREEN PLATE

The banana screen adopt HW12 structure self-cleaning polyurethane screen plate, has a good ability to remove the sticky material, can shake off the sticky in the screen plate, sieve hole powder, save manpower, reduce power consumption, provide good production conditions for sintering and blast furnace using professional data simulation analysis, according to user needs to solve the problem of wall hole. Not easy to deformation, fracture, long service life, and at the same time greatly improve production efficiency and output.



**1** The flexible characteristics of the screen surface are not only conducive to the better conduction of the vibration force of the screen plate, but also the good fastness of the screen plate connection

**2** The modular design can ensure that under the original production process conditions, to achieve the maximum effective screening area and maximum efficiency and replacement economy

**3** Soft connection to shaker In addition to abnormal wear factors caused by screen plate damage, longer life, with help to save the production cost of users.

**4** Good moisture resistance, can work under the condition of water as the medium, and in the case of water, oil and other media, polyurethane and material friction coefficient is reduced, more conducive to sieve, improve screening efficiency, and can avoid the adhesion of wet particles, at the same time because of friction coefficient reduction, wear reduction, improve service life.

HANDLING

# MATERIALS



Coal



Limestone



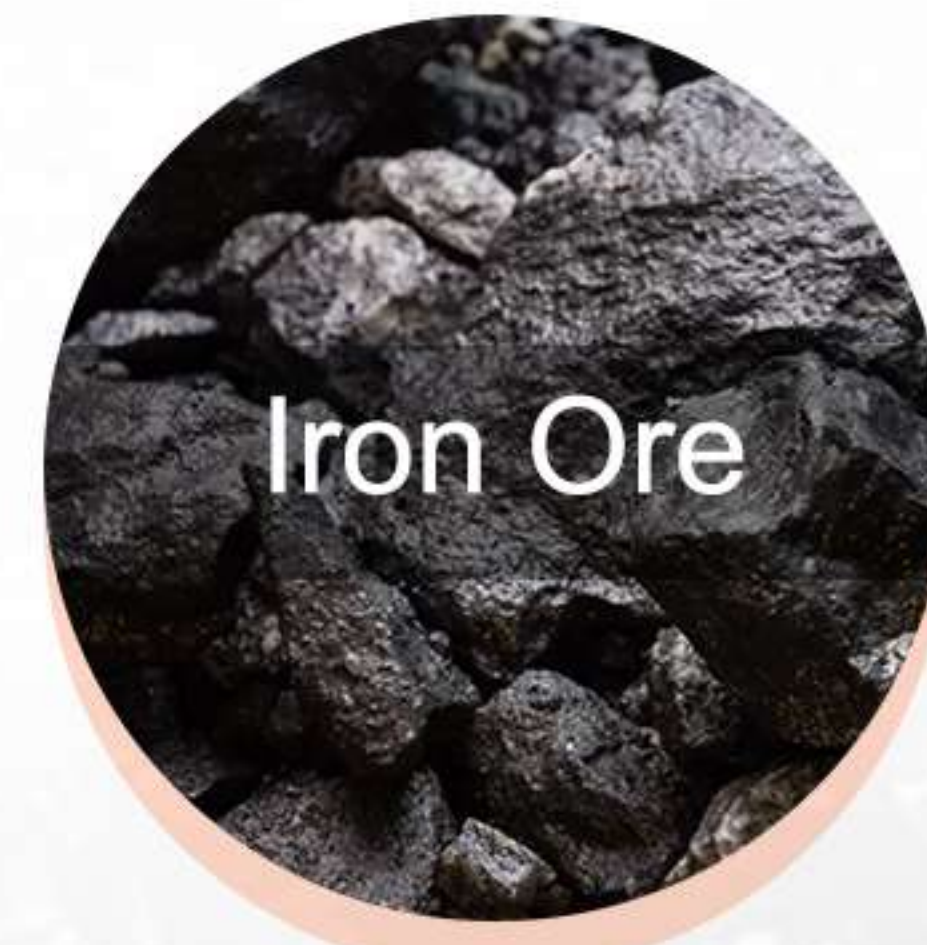
Gypsum



Alumina



Copper Ore



Iron Ore



lithium Ore



Gold Ore



Nickel Ore



Zinc Ore



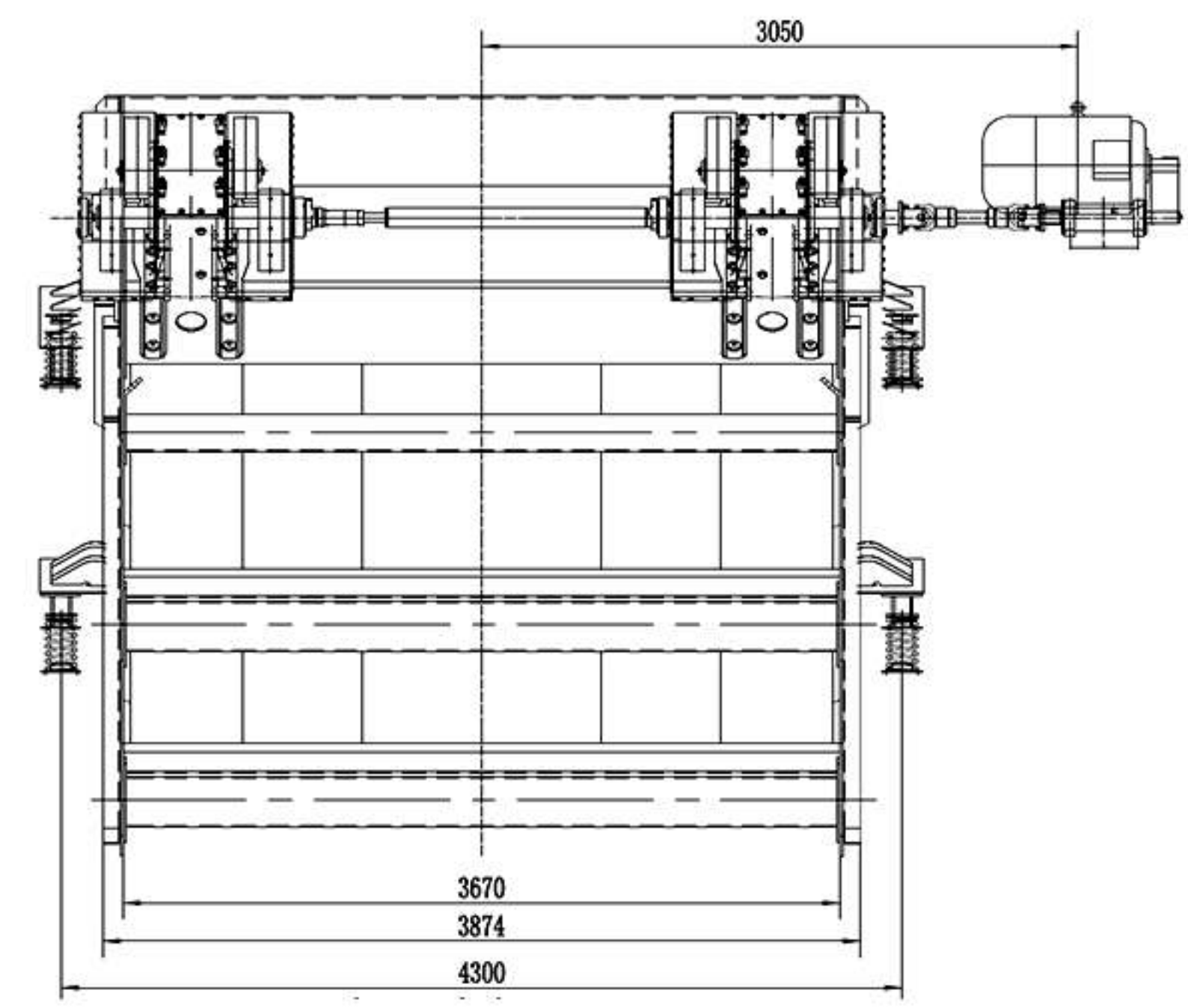
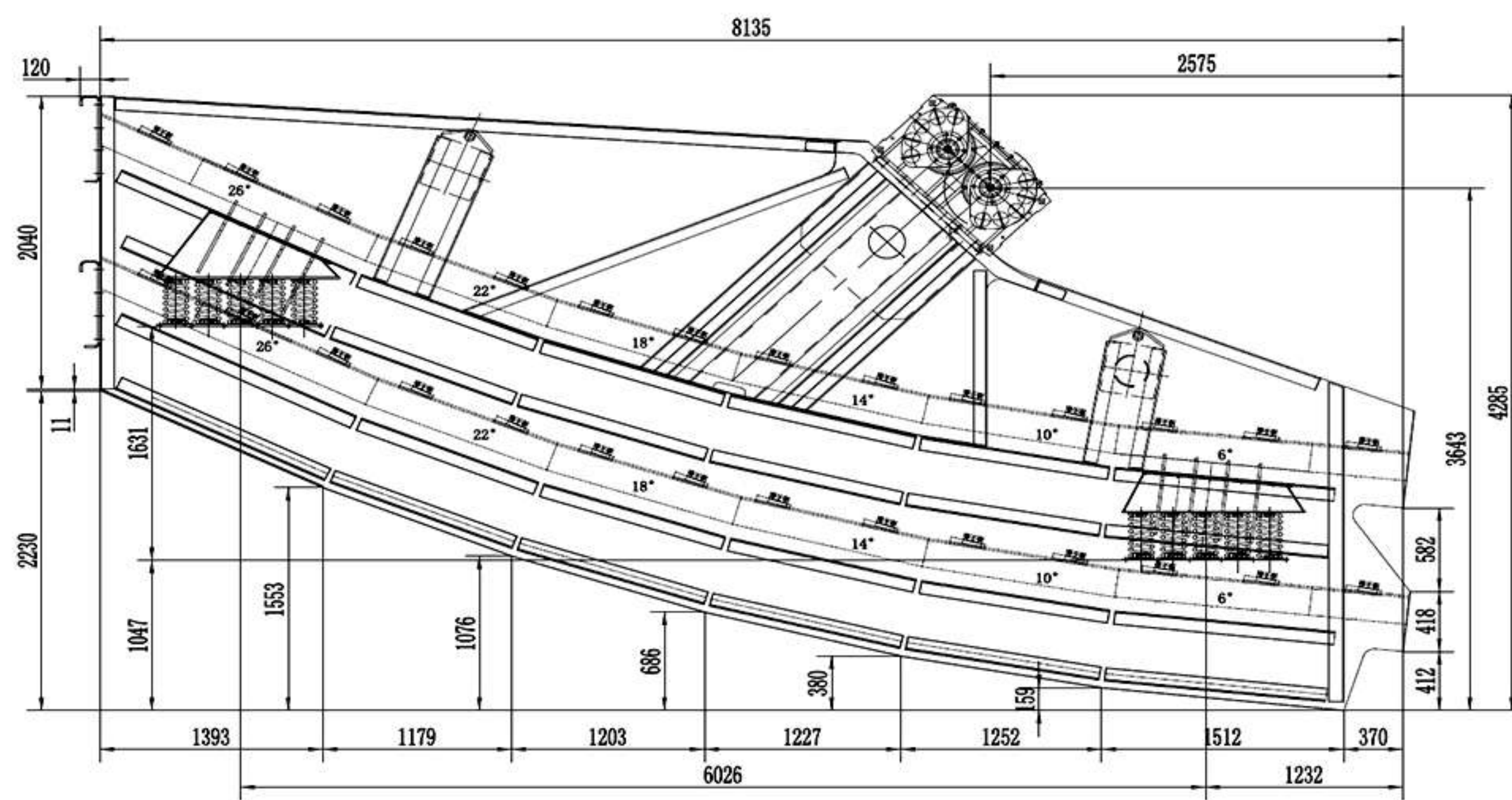


# APPLICATIONS



# TECHNICAL

# SPECIFICATIONS



Model	Layers	Screen Spec W×L(m)	Screen Area (m <sup>2</sup> )	Feeding Size (mm)	Handling Capacity (t/h)	Power (Kw)
BMVS 1861	1	1.8×6.1	10.98	≤400	50-100	22kw
BMVS 2461	1	2.4×6.1	14.64	≤400	150-280	30Kw
BMVS 2473	1	2.4×7.3	17.52	≤400	150-300	30Kw
BMVS 3061	1	3.0×6.1	18.3	≤400	180-330	37Kw
BMVS 3073	1	3.0×7.3	21.9	≤400	240-380	37Kw
BMVS 3661	1	3.6×6.1	21.96	≤400	240-400	37Kw
BMVS 3673	1	3.6×7.3	26.28	≤400	290-480	45 Kw
BMVS 2461	2	2.4×6.1	29.28	Upper screen: ≤400 Lower screen: ≤150	180-520	37Kw
BMVS 3061	2	3.0×6.1	36.6	Upper screen: ≤400 Lower screen: ≤150	250-800	55Kw
BMVS 3073	2	3.0×7.3	43.8	Upper screen: ≤400 Lower screen: ≤150	300-1000	55Kw
BMVS 3661	2	3.6×6.1	43.92	Upper screen: ≤400 Lower screen: ≤150	300-1000	55Kw
BMVS 3673	2	3.6×7.3	52.56	Upper screen: ≤400 Lower screen: ≤150	350-1200	75Kw





Committed To Be Leader  
In Bulk Material Handling

## CONTACT US

---

 +86 373 5828866

 +86 18153098776

 [info@exctmach.com](mailto:info@exctmach.com)

 <https://www.exctmach.com>

Henan Excellent Machinery Co.,Ltd